



401 17th Avenue West
Ashland, WI 54806
Phone: 715/685-2793
Fax: 715/685-9441

DEALER:
Fixed Sash - Triple Pane Glass
DRN BY:
JJP

SCALE
6" = 1'

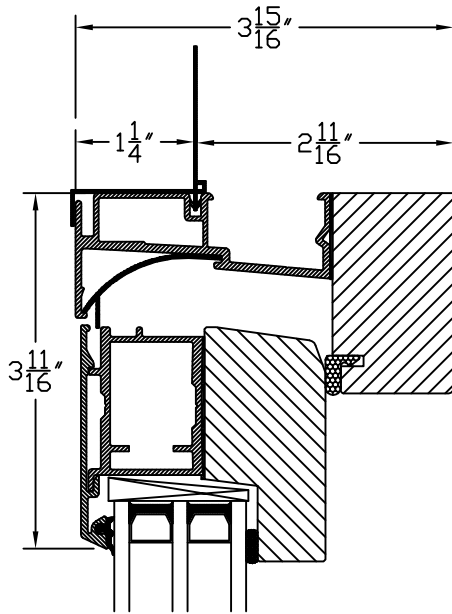
PAGE
1

JOB NAME
F-1-3-trpl

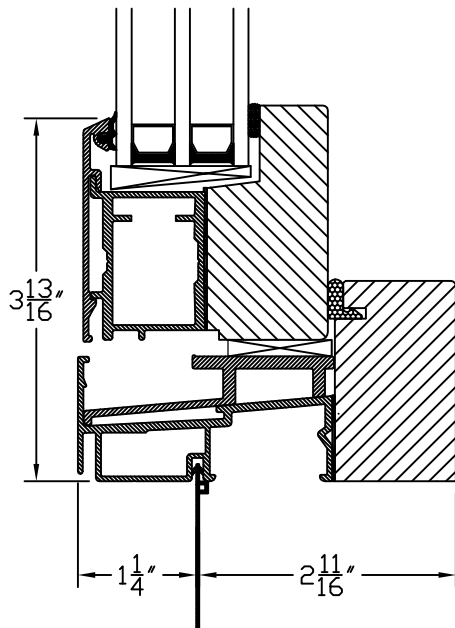
REV. DATE

REV. LEVEL

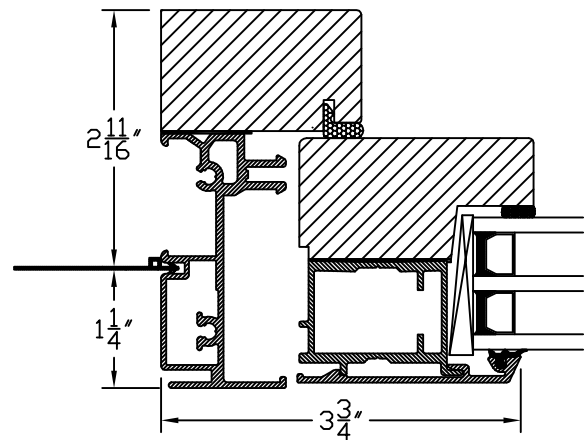
ORDER #
DATE
2/29/08



(F2-1)
H Head Detail



(F2-3)
PU Sill Detail



(F2-2)
J Jamb Detail