



401 17th Avenue West  
Ashland, WI 54806  
Phone: 715/685-2793  
Fax: 715/685-9441

DEALER:  
Fixed Sash - Double Pane Glass  
DRN BY:  
JJP

SCALE  
6" = 1'

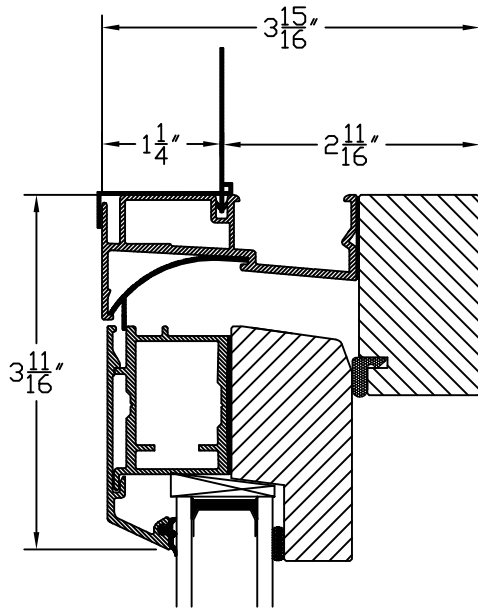
PAGE  
1

JOB NAME  
F-1-3

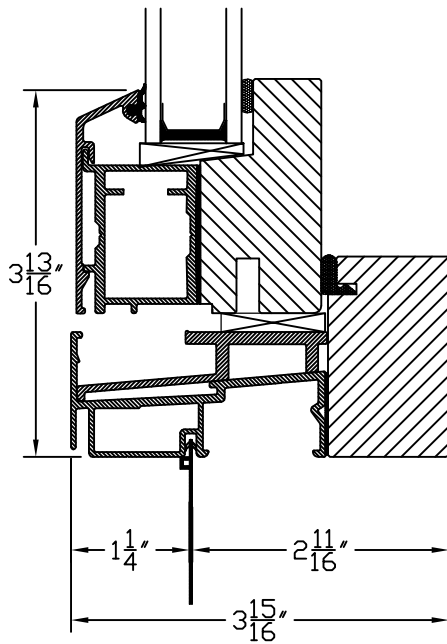
REV. DATE

REV. LEVEL

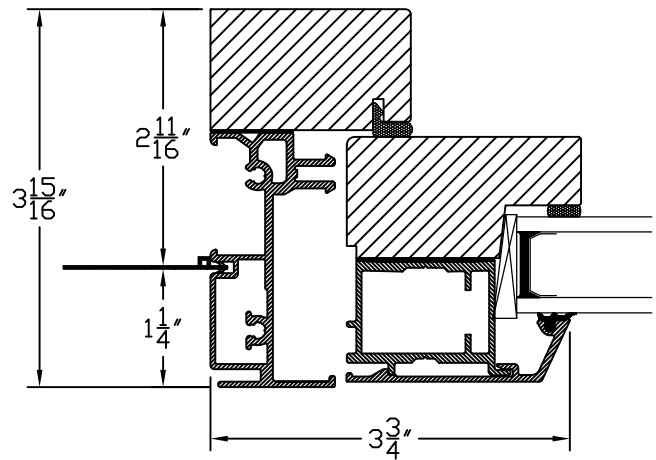
ORDER #  
DATE  
2/29/08



(F1-1 / H) Head Detail



(F1-3 / PU) Sill Detail



(F1-2 / J) Jamb Detail