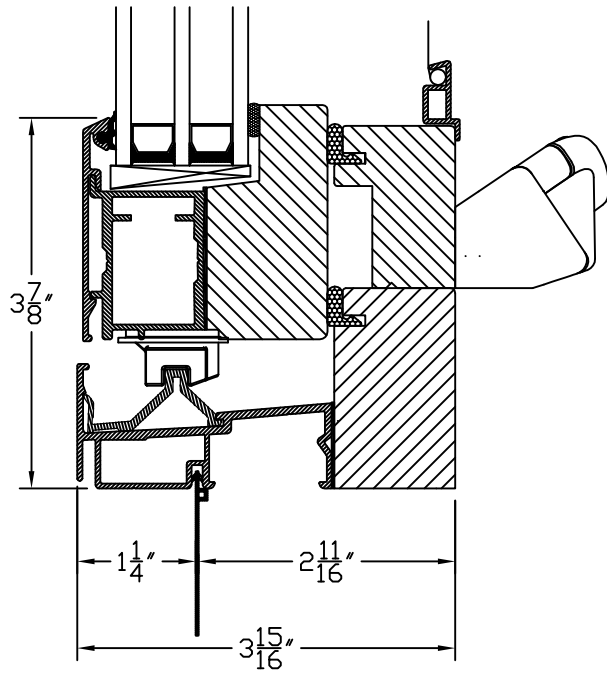
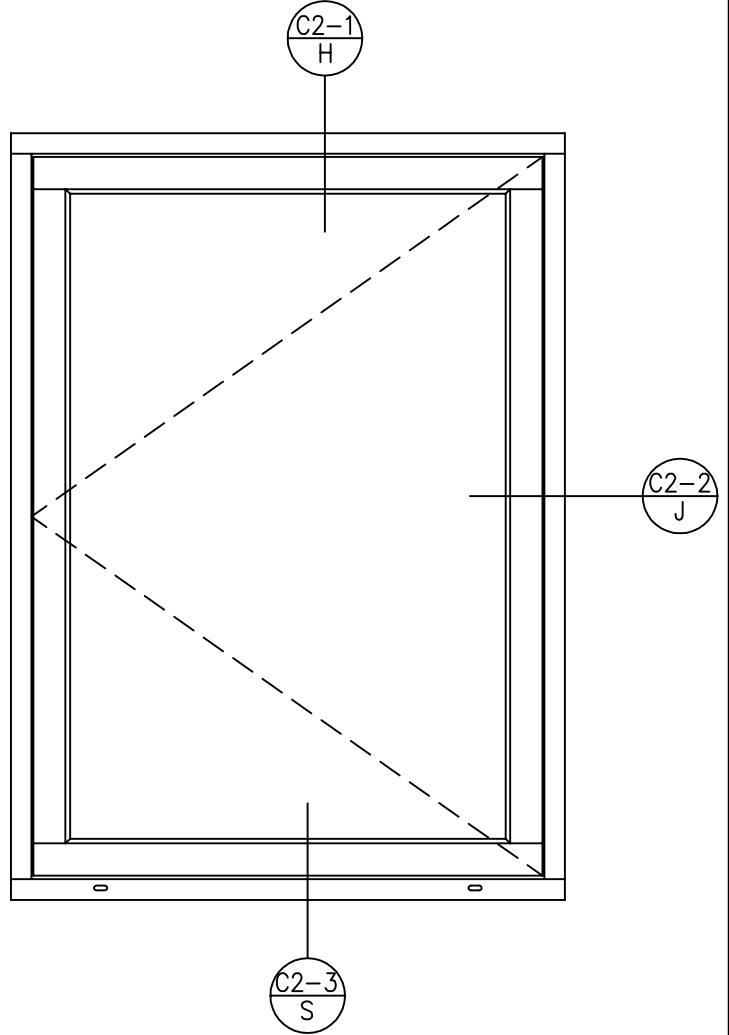
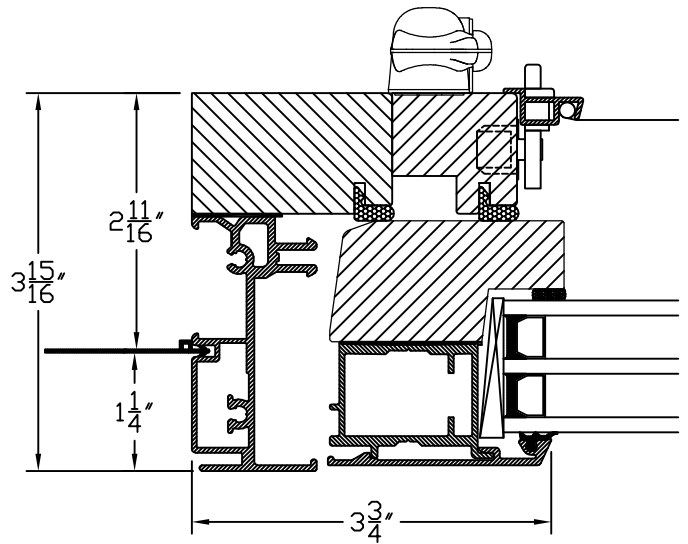


**C2-1**  
H  
Head Detail



**C2-3**  
S  
Sill Detail



**C2-2**  
J  
Jamb Detail