



401 17th Avenue West
Ashland, WI 54806
Phone: 715/685-2793
Fax: 715/685-9441

DEALER:
Casement

DRN BY:
JJP

SCALE
6" = 1'

PAGE
1

JOB NAME

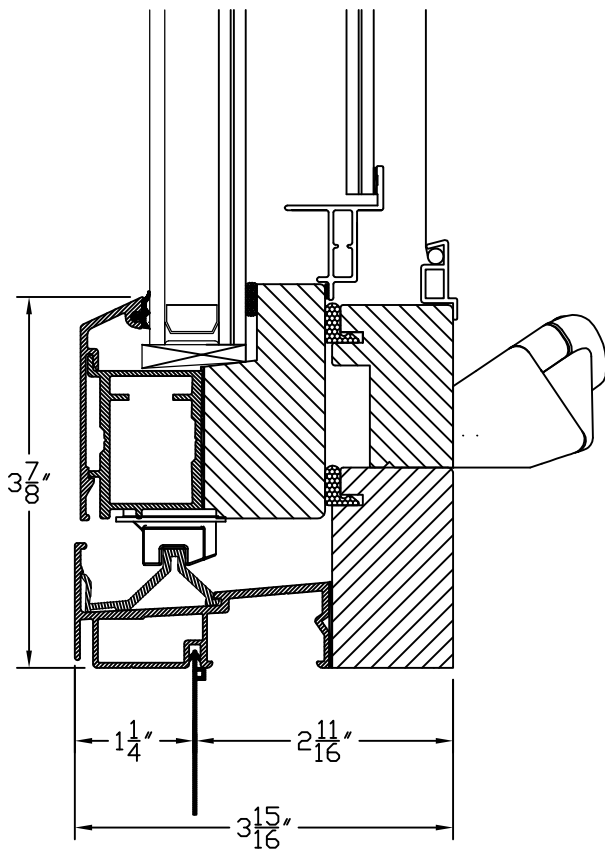
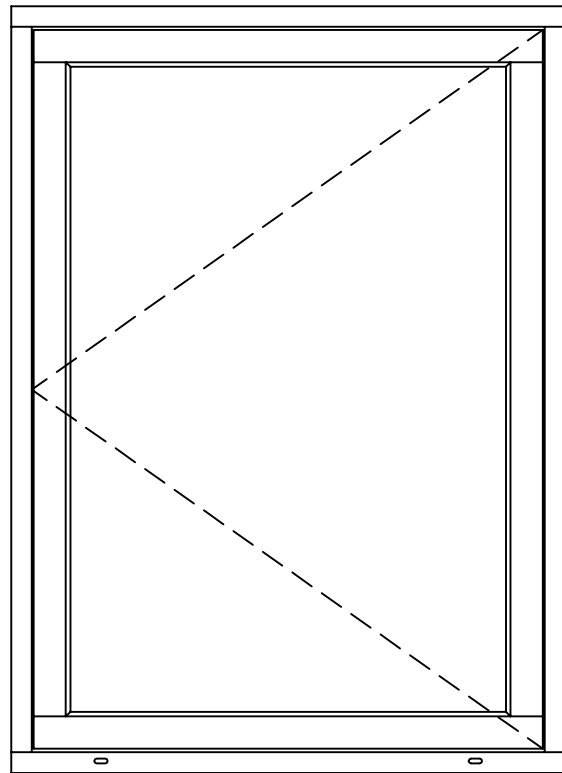
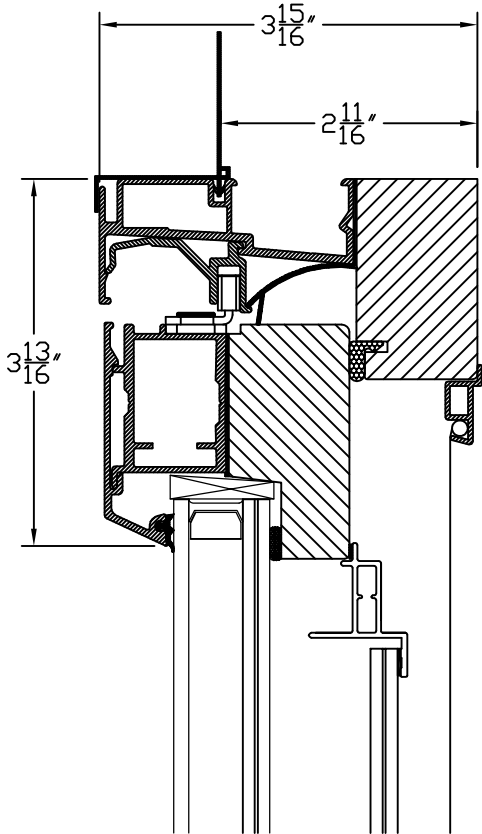
C-1-3

ORDER #

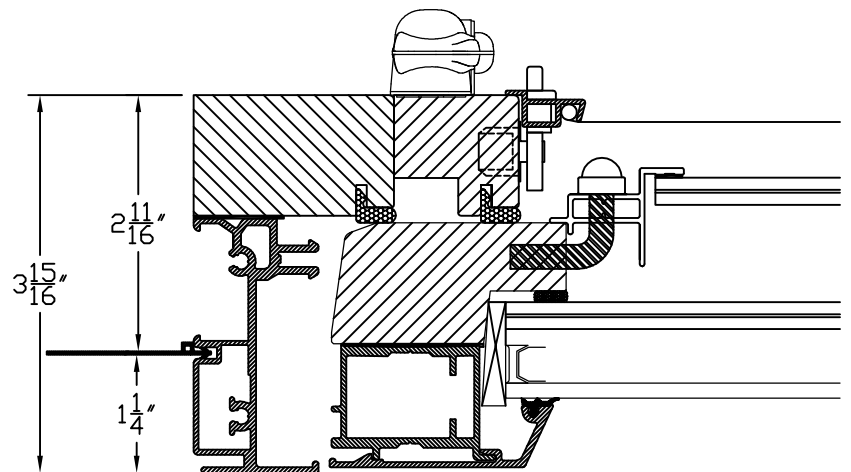
REV. DATE
2/2/10

REV. LEVEL
1

DATE
2/29/08



Head/Sill Detail



Jamb Detail