



401 17th Avenue West
Ashland, WI 54806
Phone: 715/685-2793
Fax: 715/685-9441

DEALER:
CASEMENT SILL DETAIL

JOB NAME
C1-3S

ORDER #
C1-3S

DRN BY:
JJP

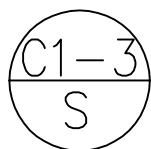
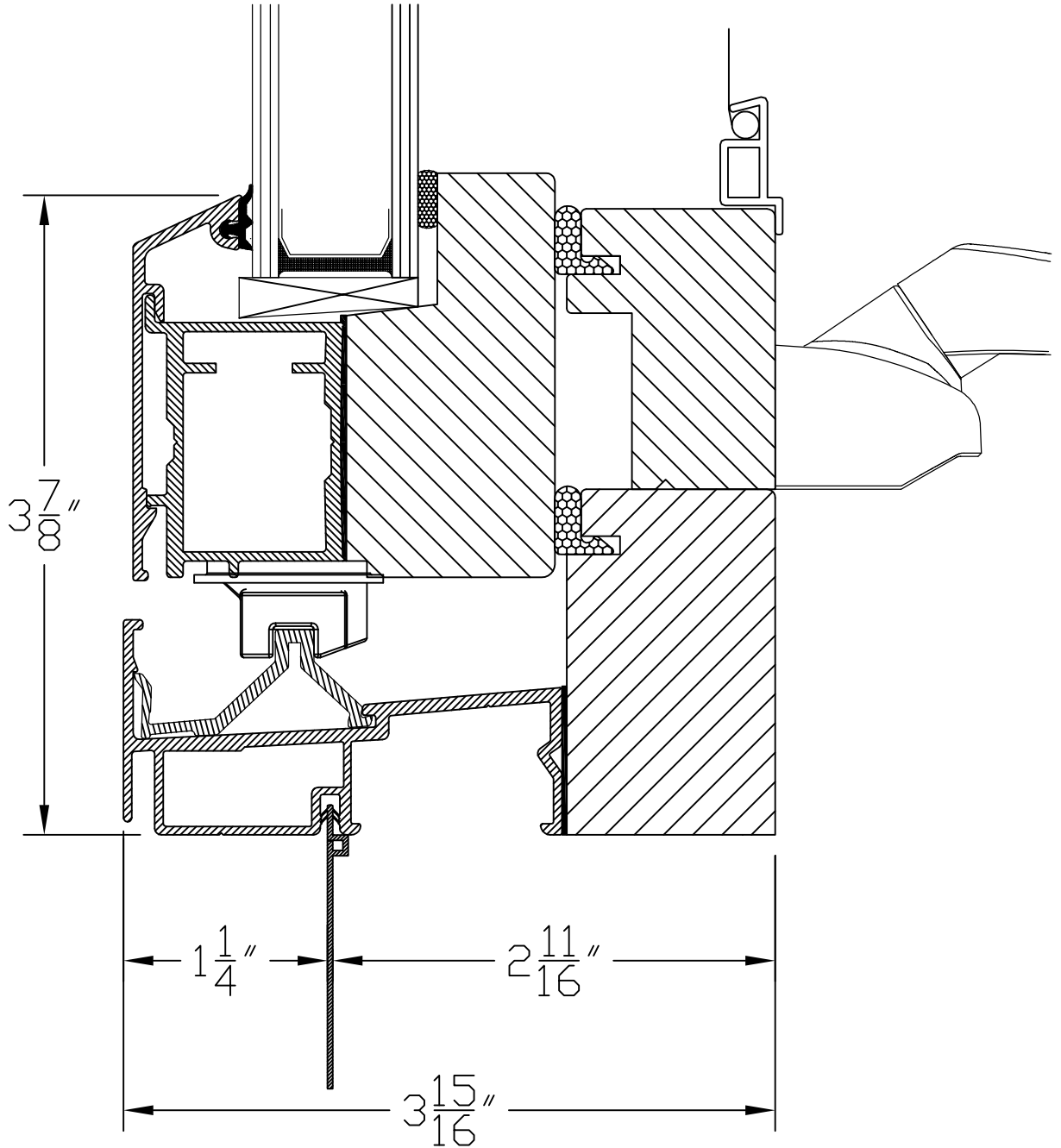
SCALE
FULL SCALE

PAGE
1

REV. DATE
2/2/10

REV. LEVEL
1

DATE
7/11/07



Casement
Sill Detail