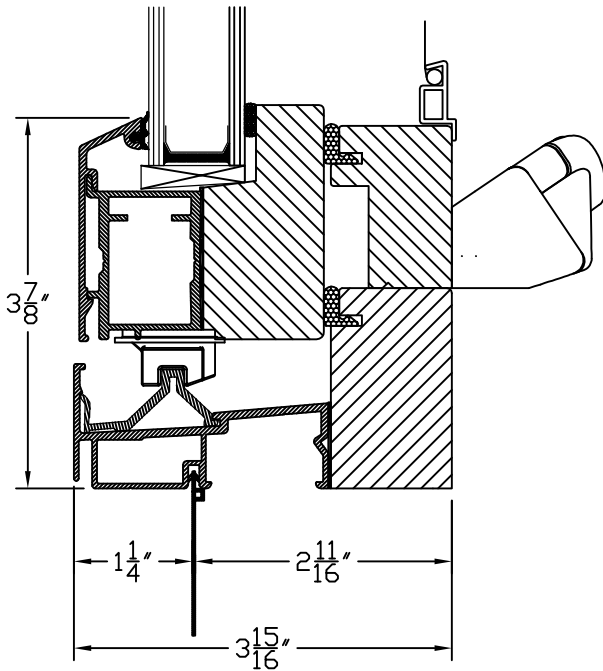
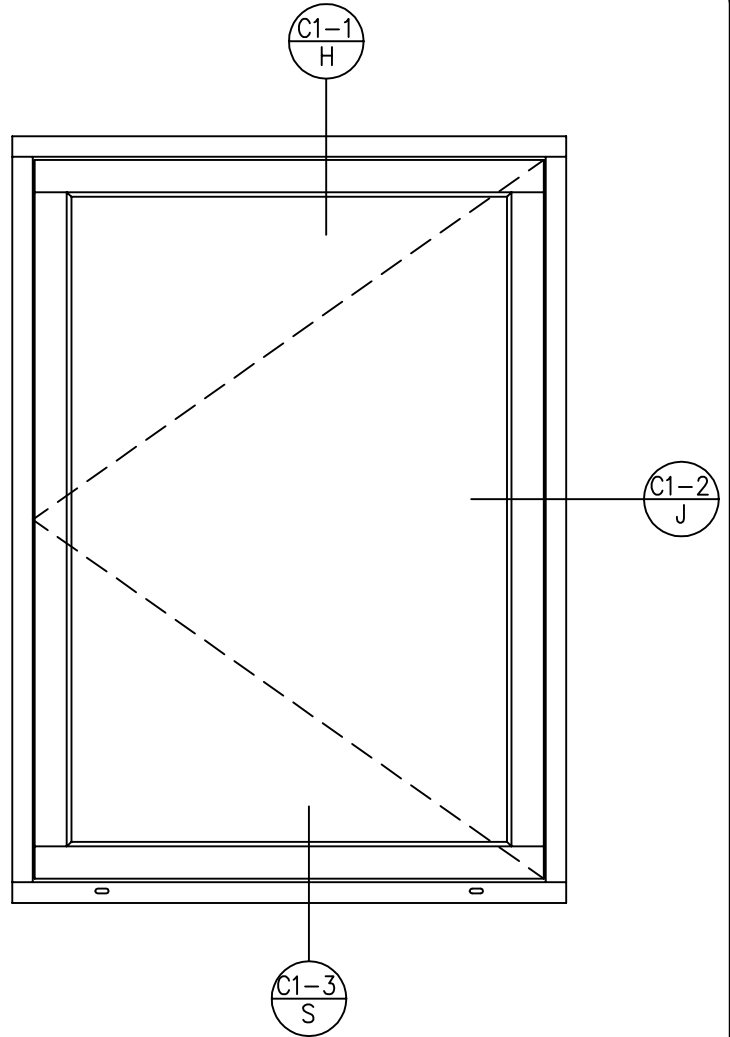
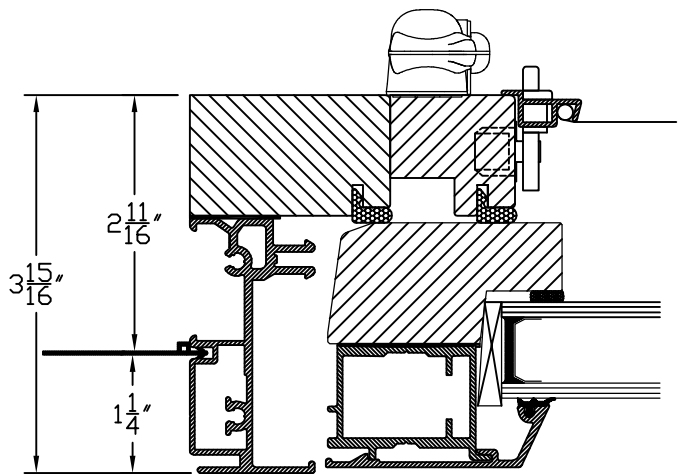


(C1-1 / H) Head Detail



(C1-3 / S) Sill Detail



(C1-2 / J) Jamb Detail