



401 17th Avenue West  
Ashland, WI 54806  
Phone: 715/685-2793  
Fax: 715/685-9441

DEALER:  
Direct Set - Triple Pane Glass  
DRN BY:  
JJP

SCALE  
6" = 1'

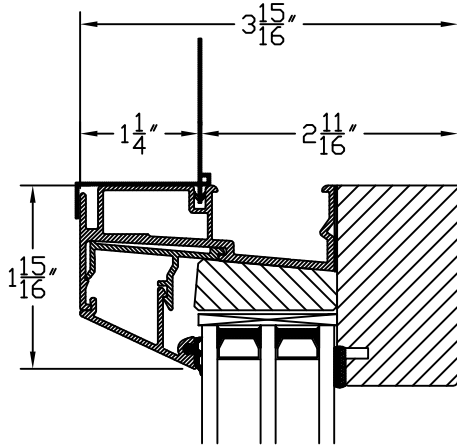
PAGE  
1

JOB NAME  
D-1-3-trpl

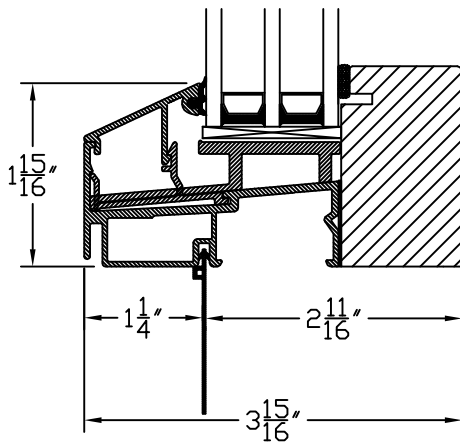
REV. DATE

REV. LEVEL

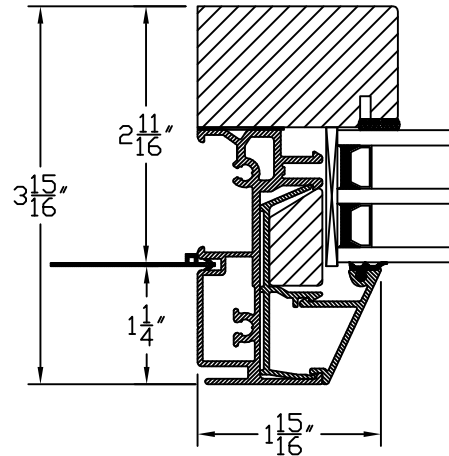
ORDER #  
DATE  
2/29/08



$\textcircled{\text{D2-1}}$   
H Head Detail



$\textcircled{\text{D2-3}}$   
S Sill Detail



$\textcircled{\text{D2-2}}$   
J Jamb Detail