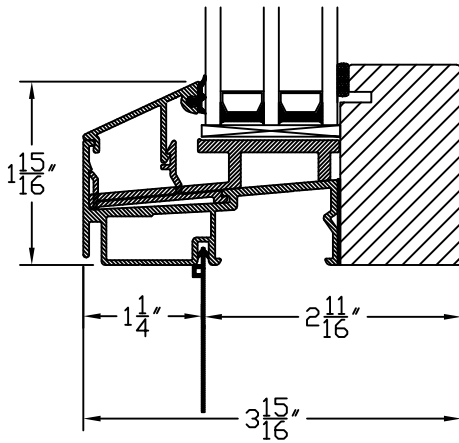
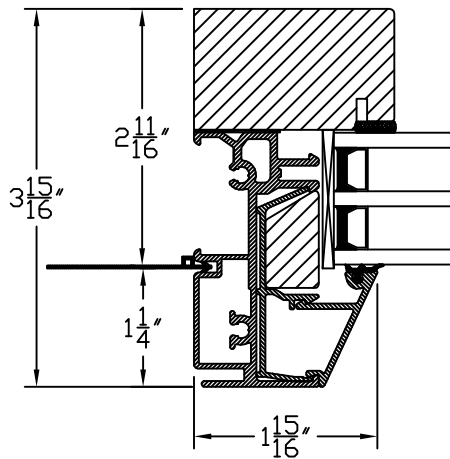


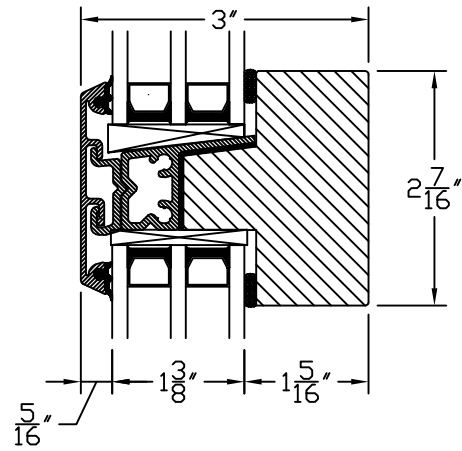
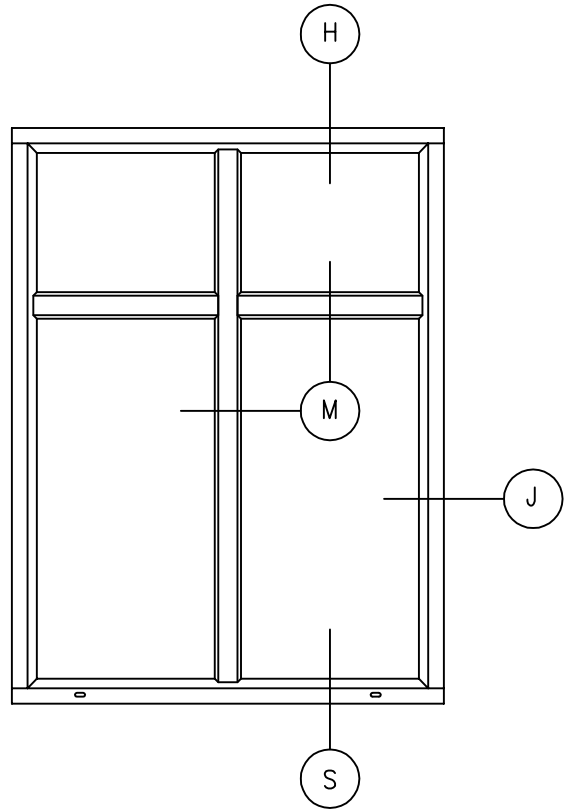
(D2-1)
H Head Detail



(D2-3)
S Sill Detail



(D2-2)
J Jamb Detail



(D2-4)
M Muntin Bar Detail