



401 17th Avenue West
Ashland, WI 54806
Phone: 715/685-2793
Fax: 715/685-9441

DEALER:
DIRECT SET MULLION DETAIL
DRN BY:
JJP
SCALE
FULL SCALE
PAGE

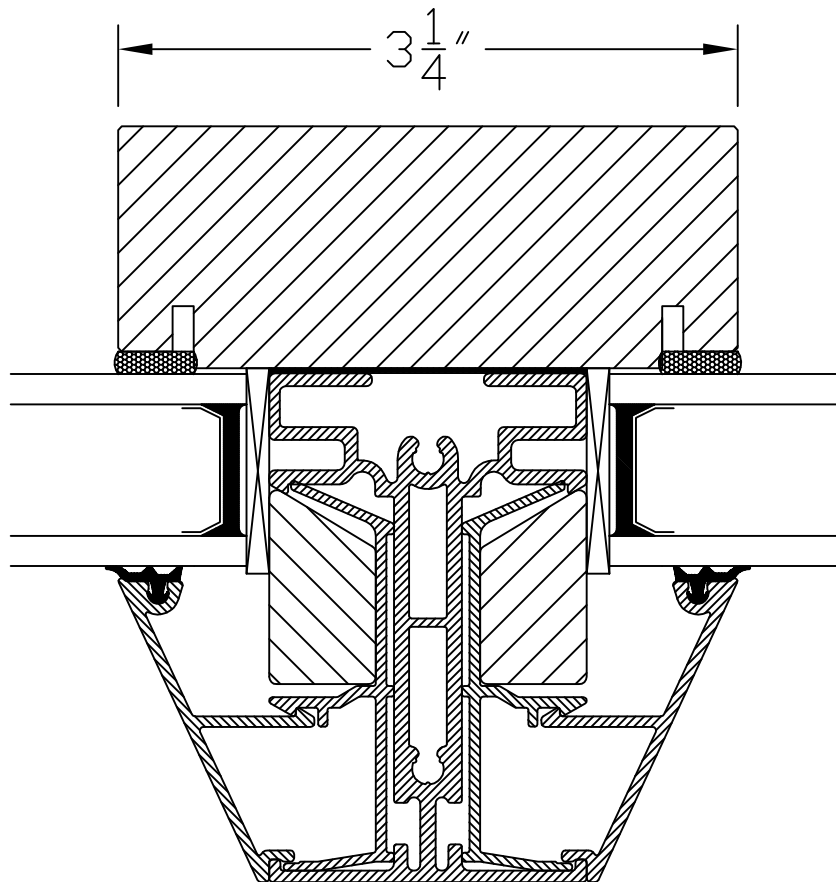
JOB NAME

ORDER #
D1-4Mu

REV. DATE

REV. LEVEL

DATE
7/11/07



Direct Set
Mullion Detail