

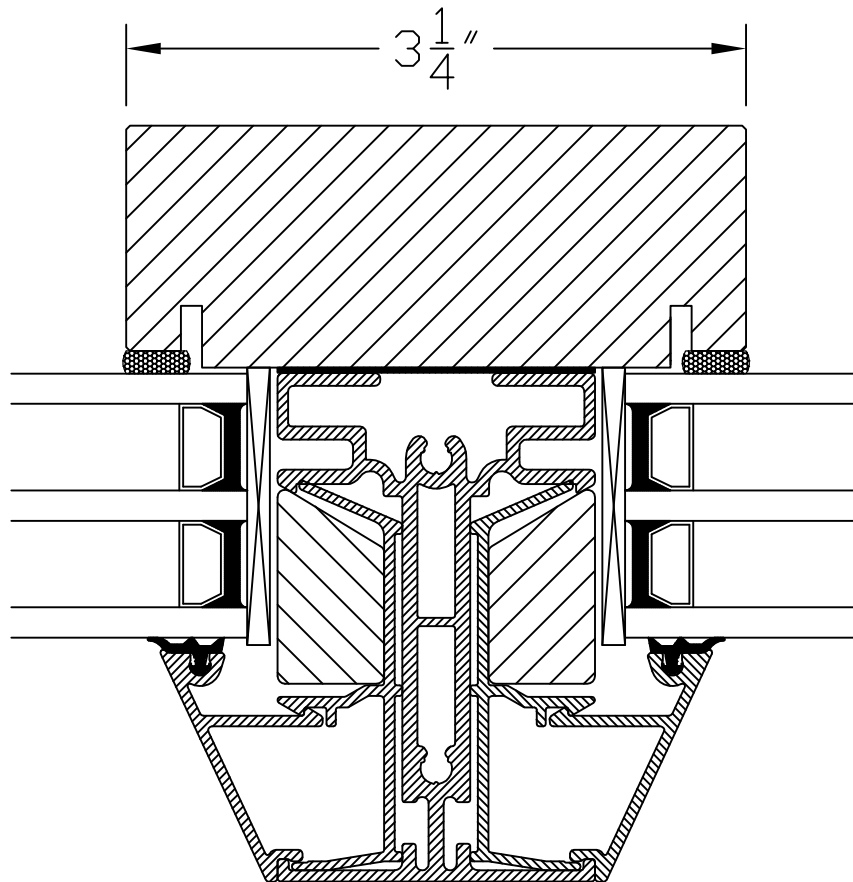


401 17th Avenue West
Ashland, WI 54806
Phone: 715/685-2793
Fax: 715/685-9441

DEALER:
DIRECT SET MULLION DETAIL
DRN BY: JJP
SCALE: FULL SCALE
PAGE:

JOB NAME
REV. DATE
REV. LEVEL

ORDER #
D1-4Mu
DATE
7/11/07



Direct Set
Mullion Detail