



401 17th Avenue West
Ashland, WI 54806
Phone: 715/685-2793
Fax: 715/685-9441

DEALER:
Direct Set over Door

JOB NAME

ORDER #

DRN BY:

SCALE

PAGE

REV. DATE

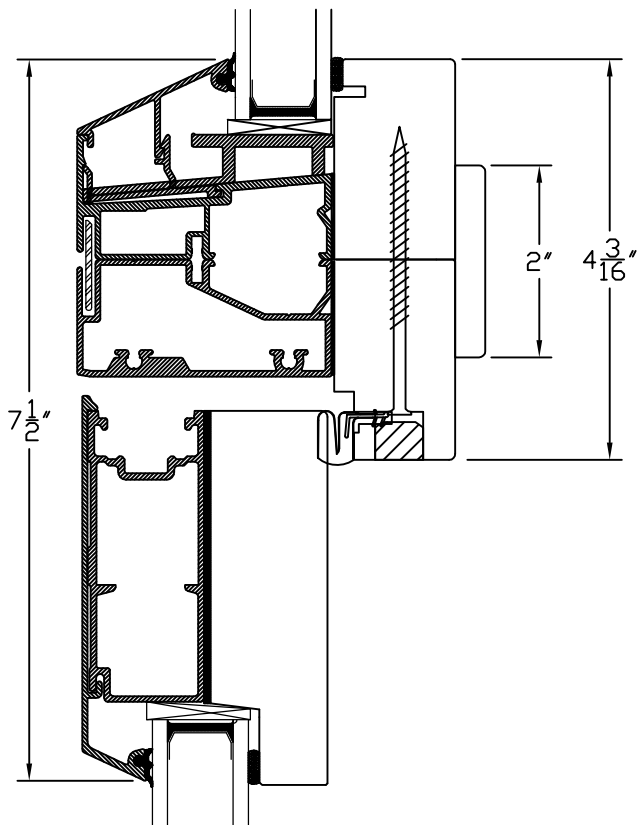
REV. LEVEL

DATE

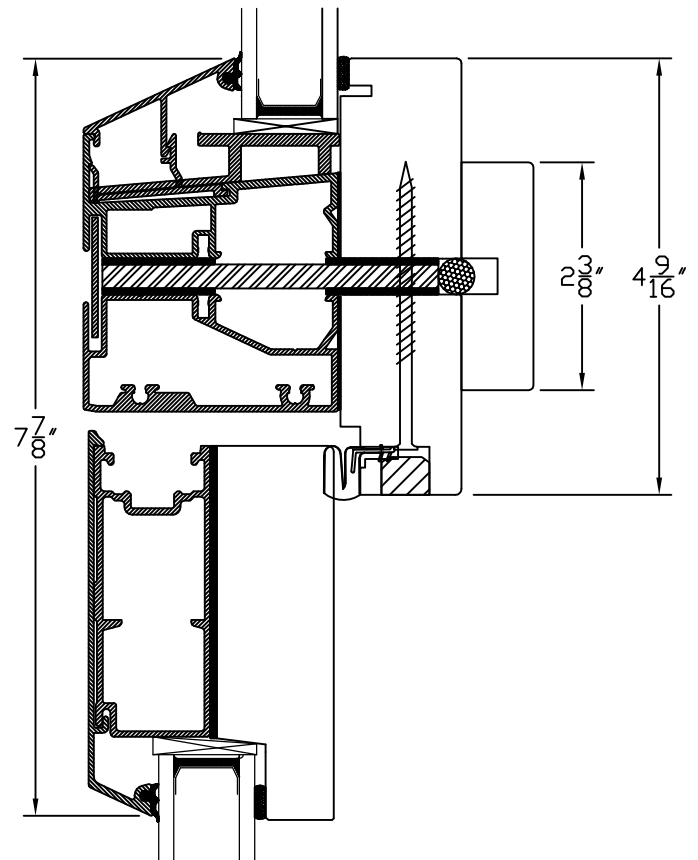
Half Scale

10/2/08

7/11/07



Direct Set Unit Muller
Over Nordic Door



Direct Set Unit Muller
Over Nordic Door
Steel Reinforced Field Mull