



401 17th Avenue West  
Ashland, WI 54806  
Phone: 715/685-2793  
Fax: 715/685-9441

DEALER:  
Direct Set - Double Pane Glass  
DRN BY:  
JJP

SCALE  
6" = 1'

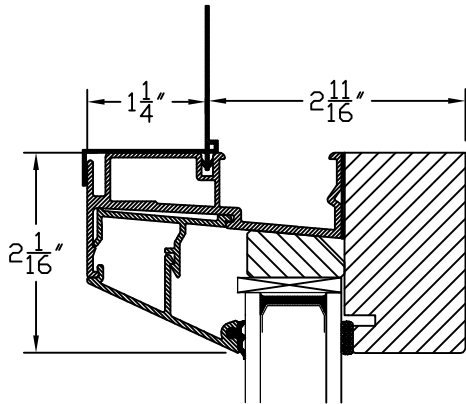
PAGE  
1

JOB NAME  
D-1-4

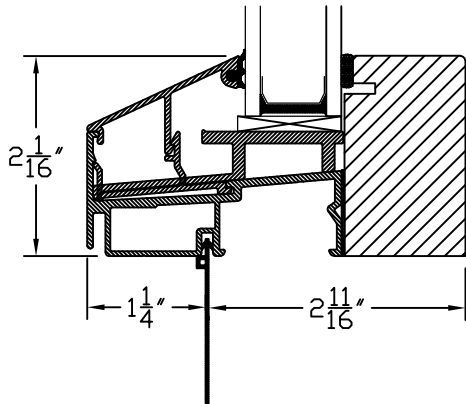
REV. DATE

REV. LEVEL

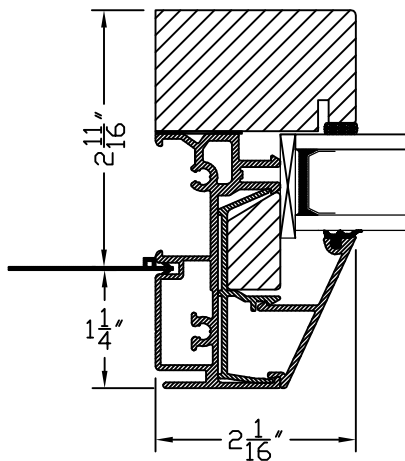
ORDER #  
DATE  
2/29/08



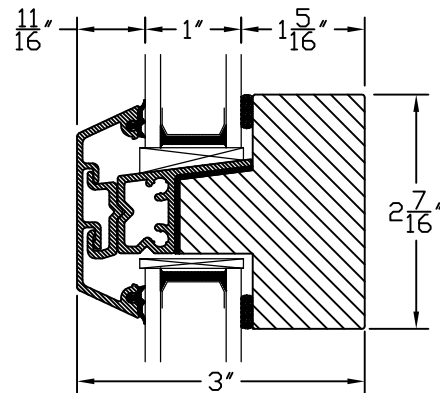
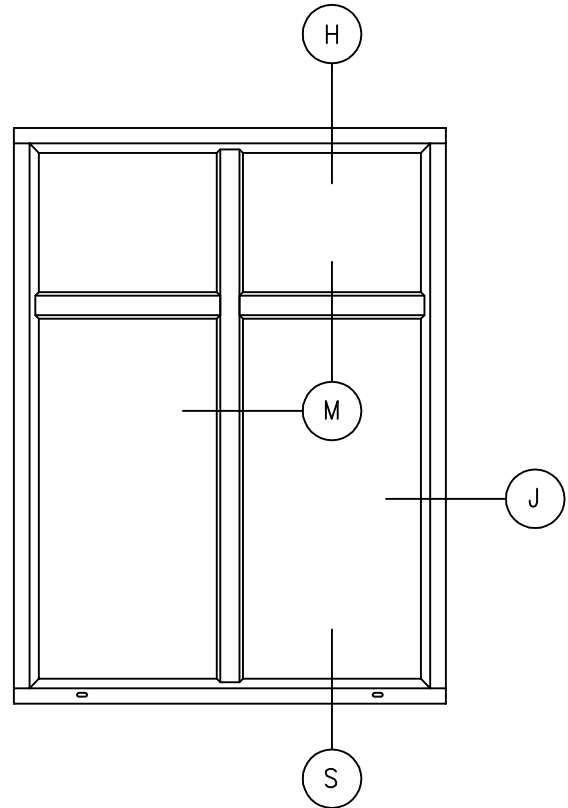
D1-1  
H Head Detail



D1-3  
S Sill Detail



D1-2  
J Jamb Detail



D1-2  
M Muntin Bar Detail