



401 17th Avenue West  
Ashland, WI 54806  
Phone: 715/685-2793  
Fax: 715/685-9441

DEALER:  
**OUTSWING DOOR MULL DETAIL**  
DRN BY:  
DME

SCALE  
6"=1'-0"

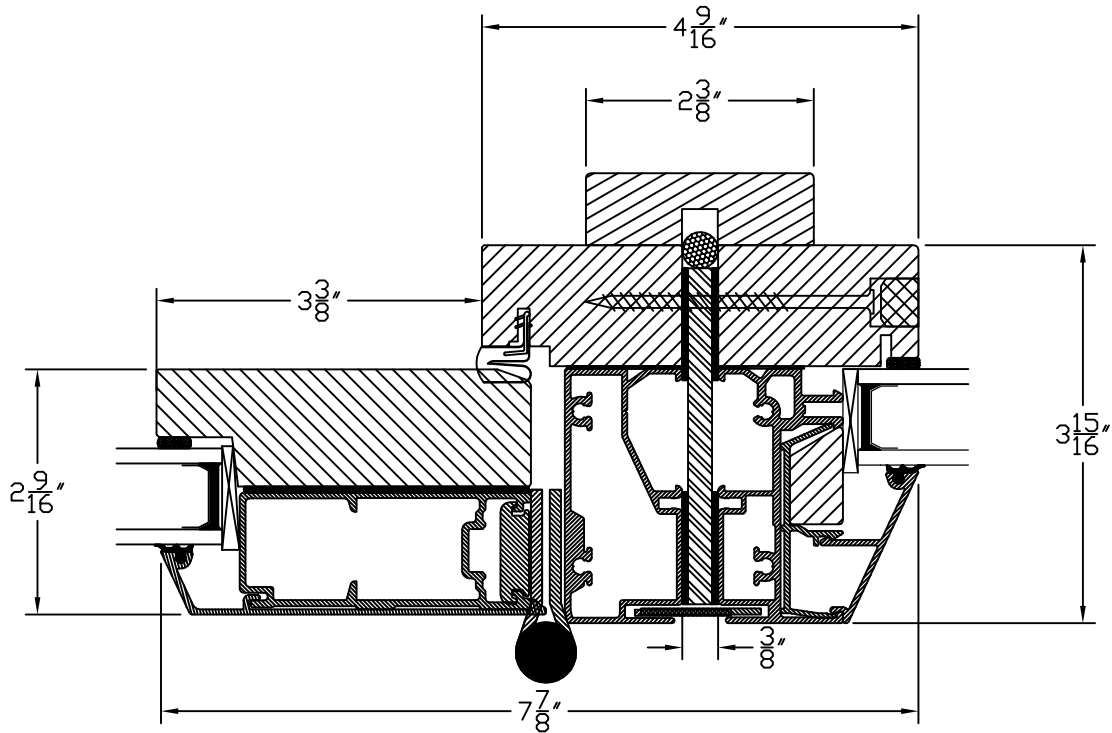
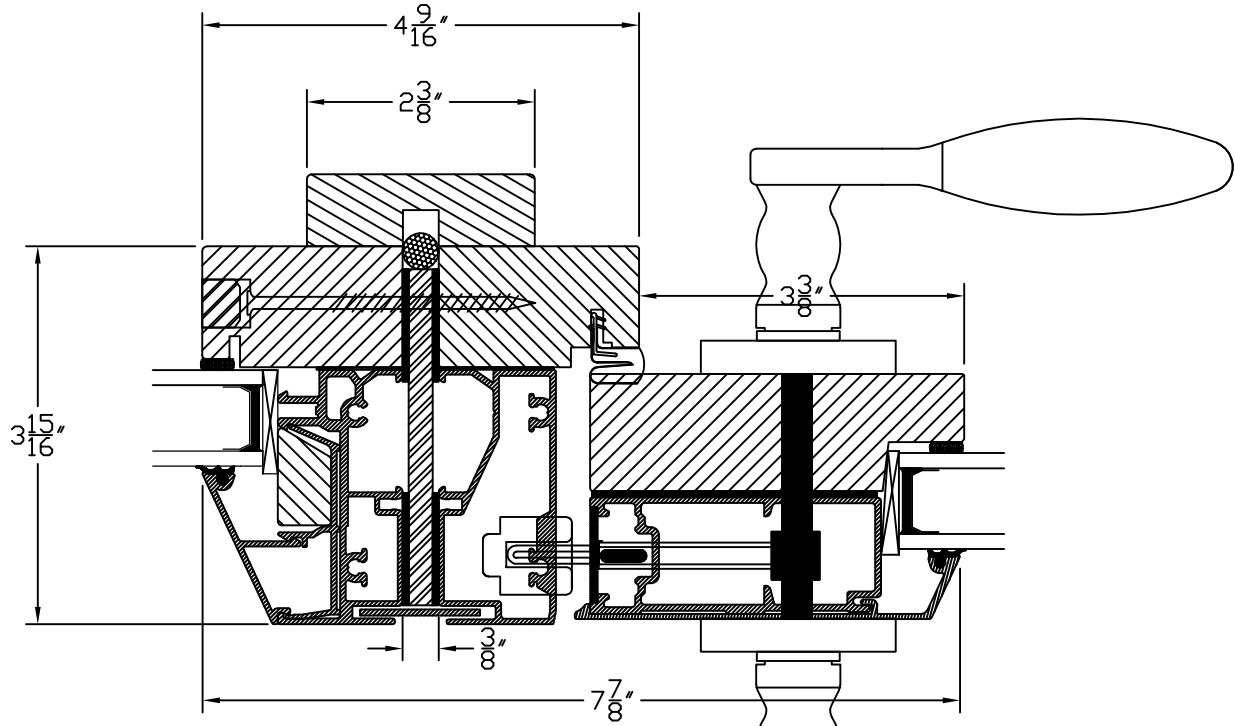
PAGE

JOB NAME

REV. DATE  
10/2/08

REV. LEVEL

ORDER #  
O1-6MU  
DATE  
7/11/07



Nordic Outswing Door  
Field Mull to Direct Set  
Steel Reinforced Field Mull