



401 17th Avenue West
Ashland, WI 54806
Phone: 715/685-2793
Fax: 715/685-9441

DEALER:
OUTSWING DOOR MULL DETAIL

JOB NAME

ORDER #
O1-6MU

DRN BY:
DME

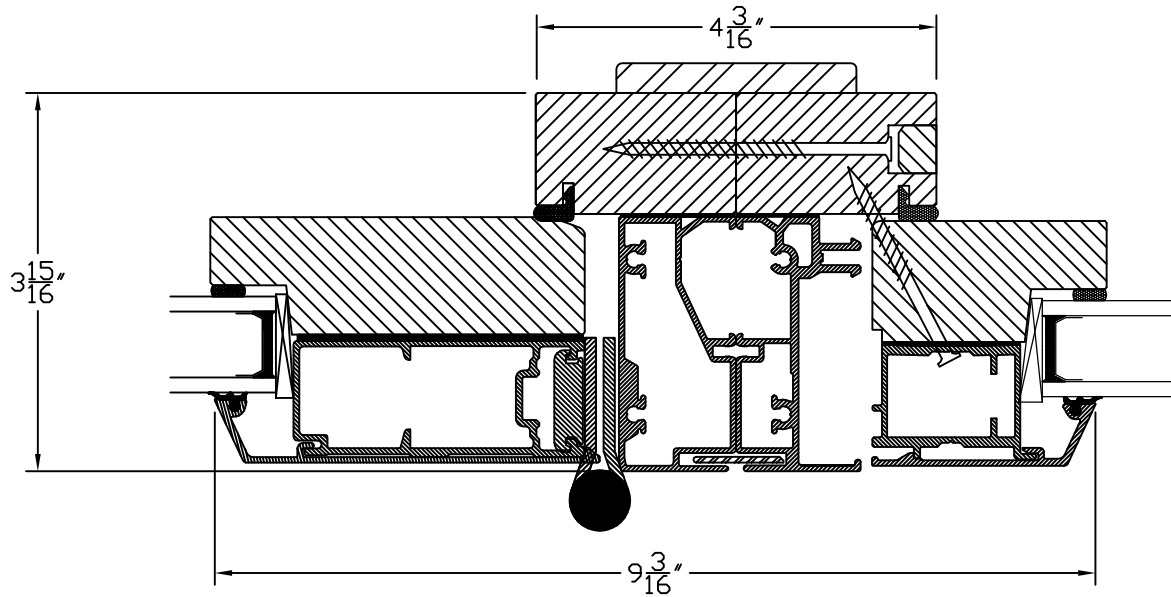
SCALE
6"=1'-0"

PAGE

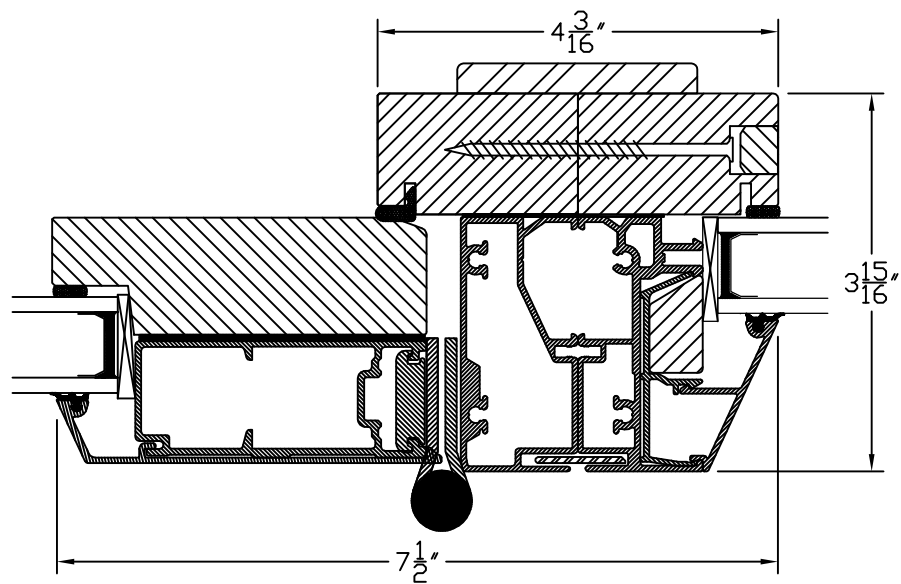
REV. DATE
10/2/08

REV. LEVEL

DATE
7/11/07



Nordic Outswing Door
Mulled to Fixed Sash



Nordic Outswing Door
Mulled to Direct Set