



401 17th Avenue West  
Ashland, WI 54806  
Phone: 715/685-2793  
Fax: 715/685-9441

DEALER:  
H Window Company LLC

DRN BY:  
JJP

SCALE  
Full Scale

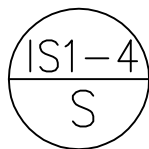
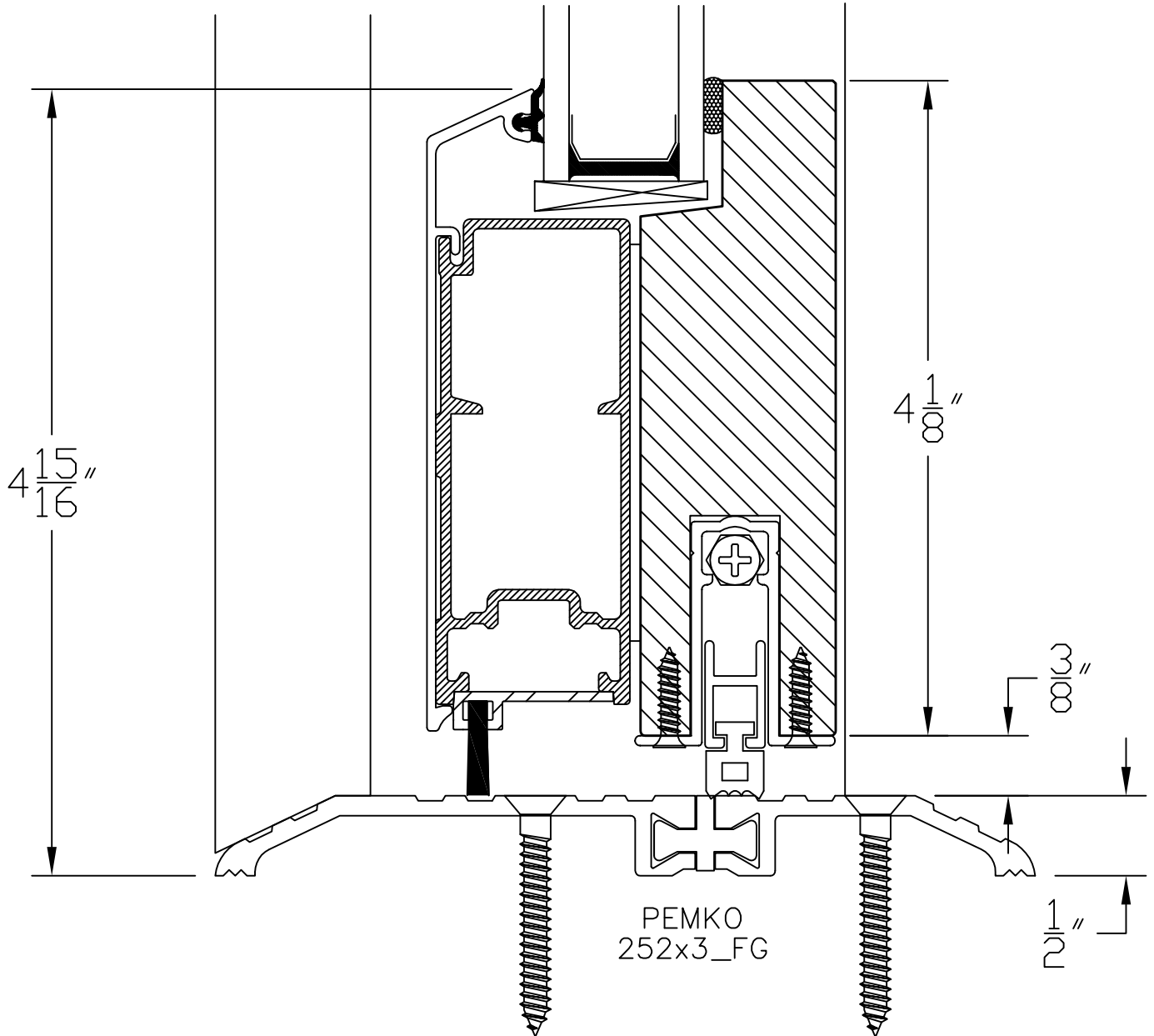
PAGE  
1

JOB NAME  
Inswing Door ADA Sill

REV. DATE  
2018

REV. LEVEL  
1

ORDER #  
DATE  
5/30/17



Nordic Inswing Door  
Basic Jamb ADA Sill Detail