



401 17th Avenue West  
Ashland, WI 54806  
Phone: 715/685-2793  
Fax: 715/685-9441

DEALER:  
204 Lift and Slide  
DRN BY:  
JJP

SCALE  
Half Scale

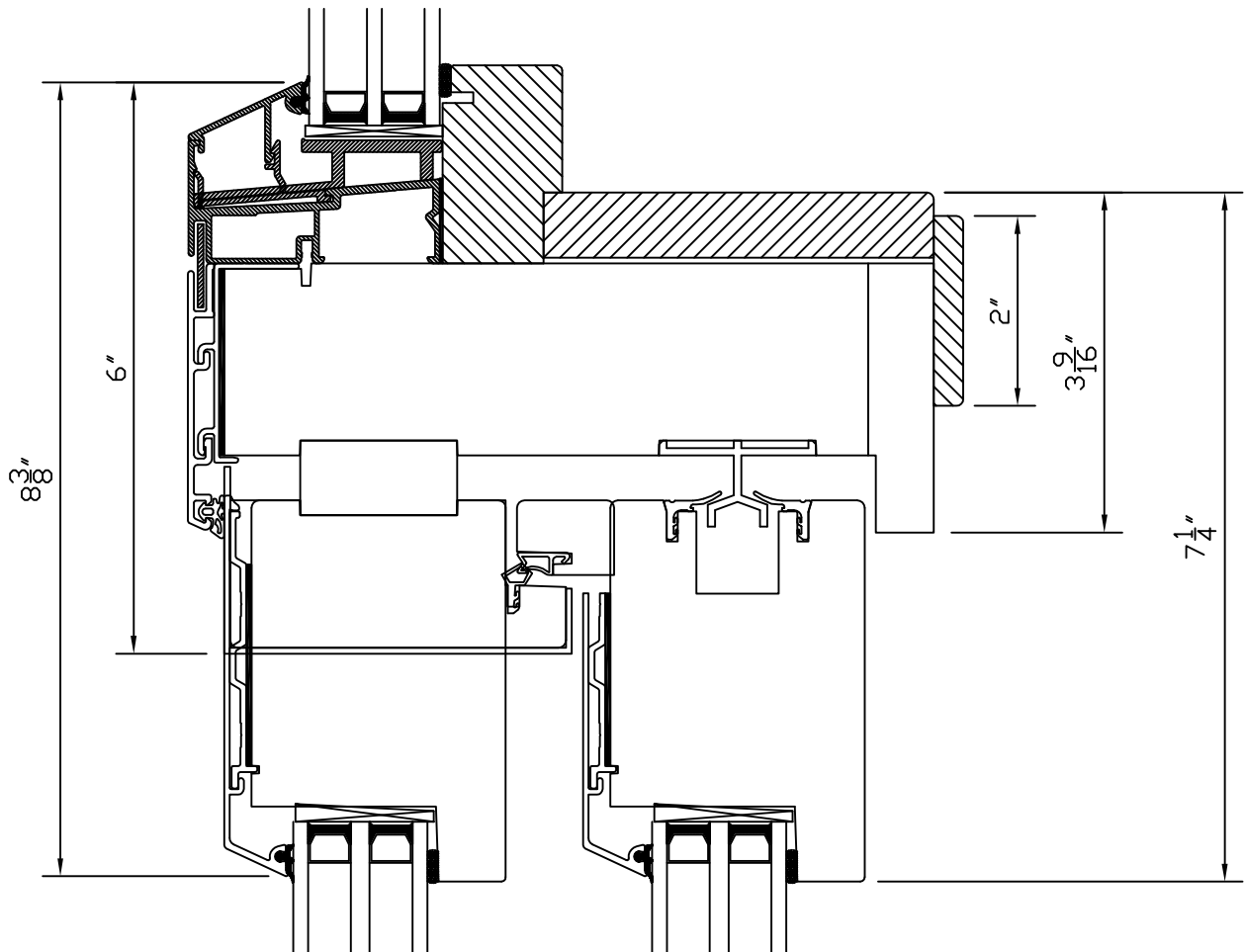
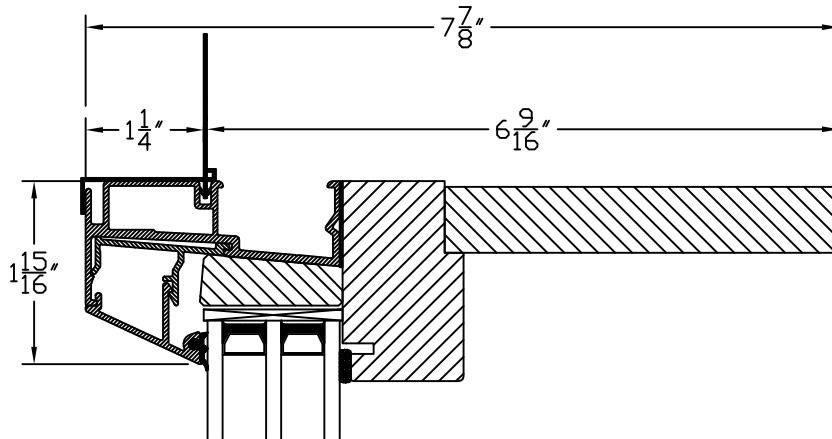
PAGE  
1

JOB NAME  
3-pane glass

REV. DATE

REV. LEVEL

ORDER #  
DATE  
1/07/15



H Window Lift and Slide  
Field Mullered Transom Detail