



401 17th Avenue West  
Ashland, WI 54806  
Phone: 715/685-2793  
Fax: 715/685-9441

DEALER:  
Projected - Triple Pane Glass  
DRN BY:  
JJP

SCALE  
6" = 1'

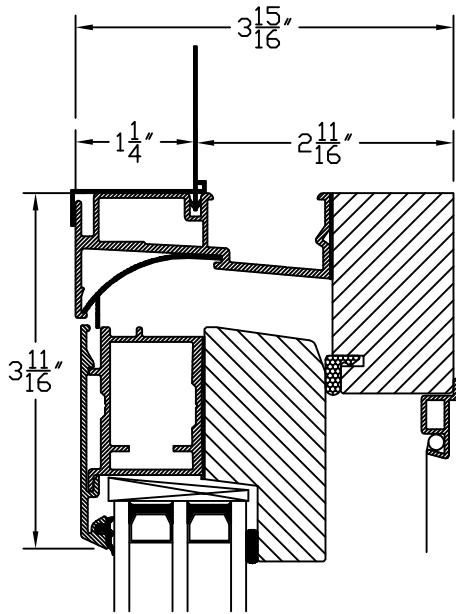
PAGE  
1

JOB NAME  
P-1-3-trpl

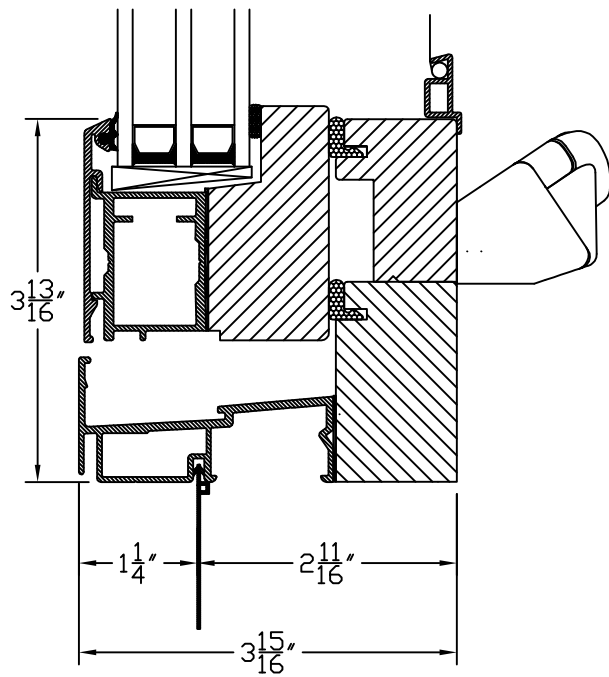
REV. DATE

REV. LEVEL

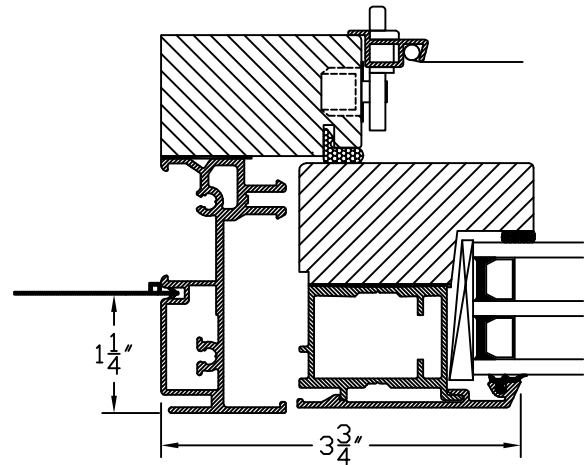
ORDER #  
DATE  
2/29/08



(P2-1)  
H Head Detail



(P2-3)  
PU Sill Detail, Encore Crank



(P2-2)  
J Jamb Detail