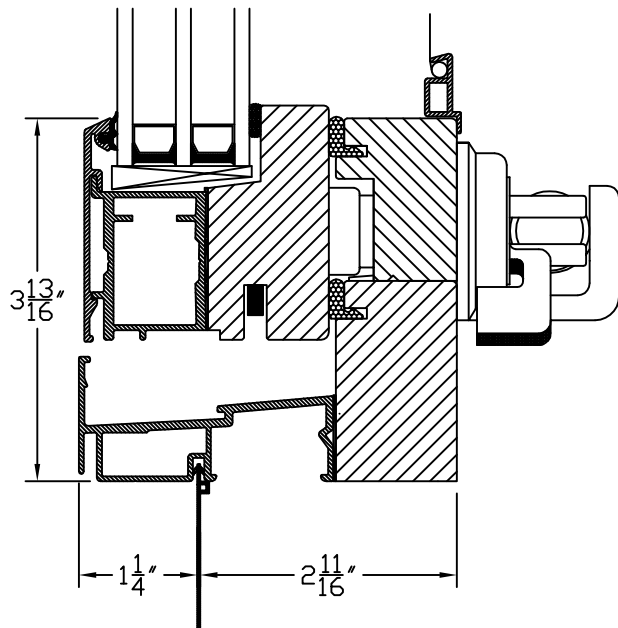
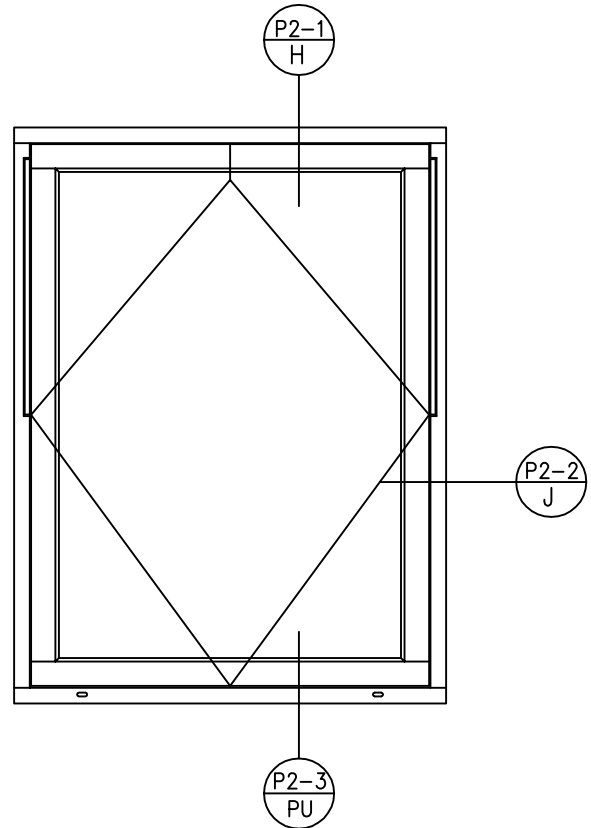
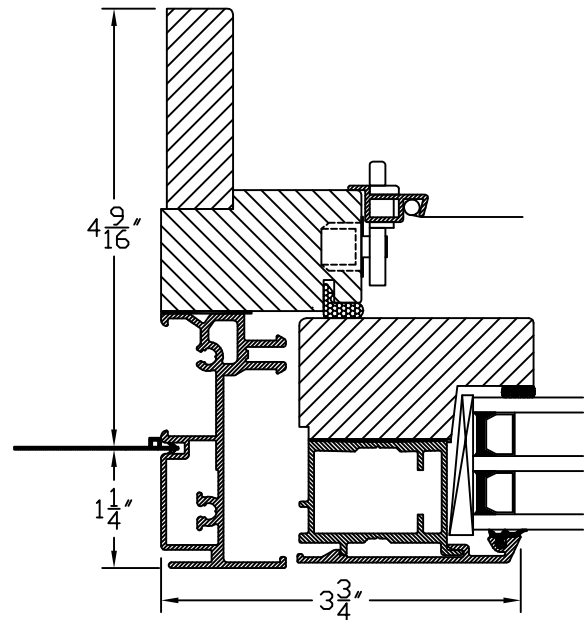


(P2-1 / H) Head Detail



(P2-3 / PU) Sill Detail, Pushbar



(P2-2 / J) Jamb Detail w/ optional jamb