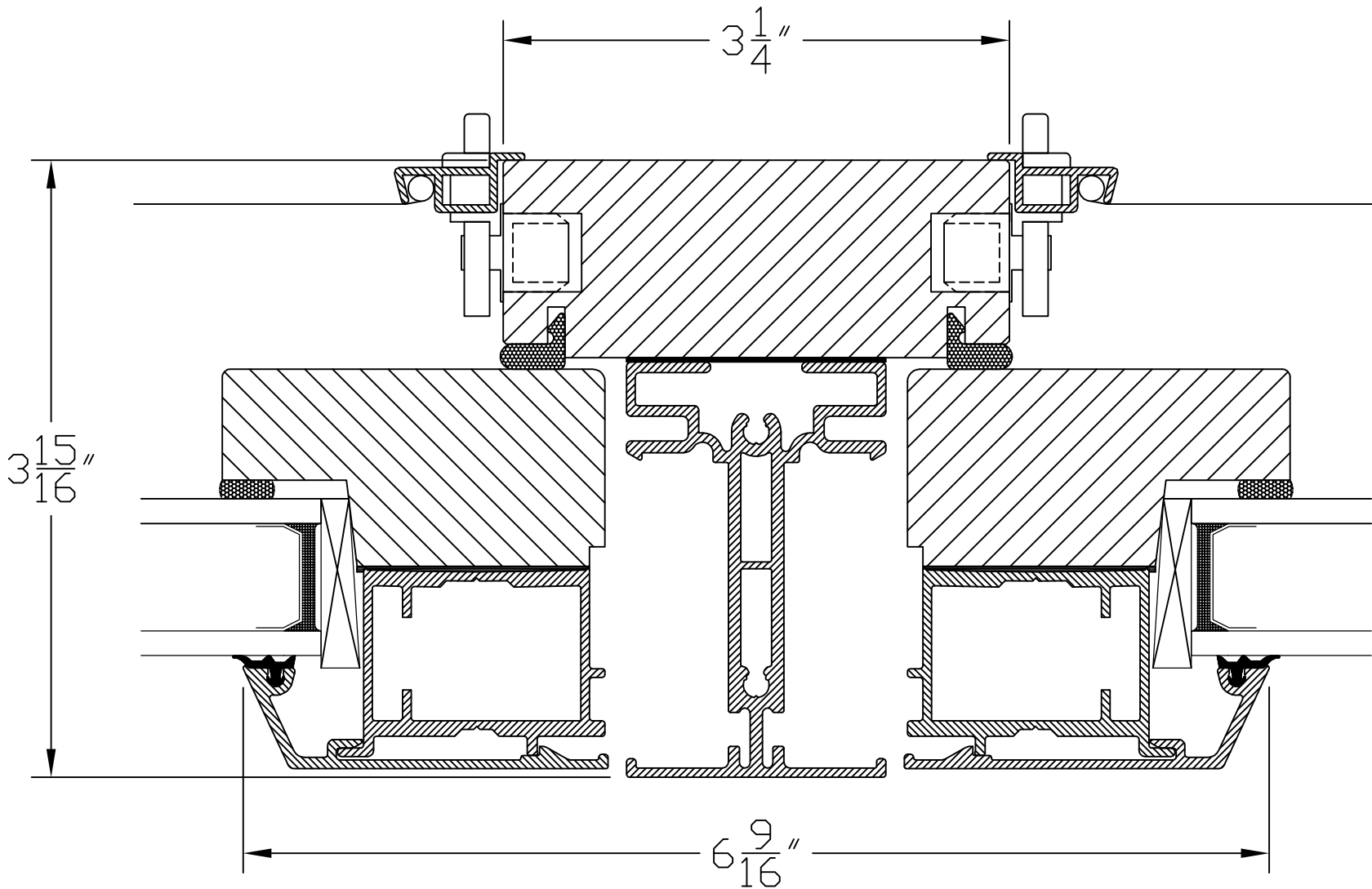




401 17th Avenue West  
Ashland, WI 54806  
Phone: 715/685-2793  
Fax: 715/685-9441

DEALER:  
Projected Next to Projected  
DRN BY: JJP  
SCALE: 6" = 1'  
PAGE: 1

JOB NAME: P1-5-ML  
REV. DATE:   
REV. LEVEL:   
DATE: 2/29/08  
ORDER #



P1-5  
ML

Projected  
Single Frame, Mullion Detail