

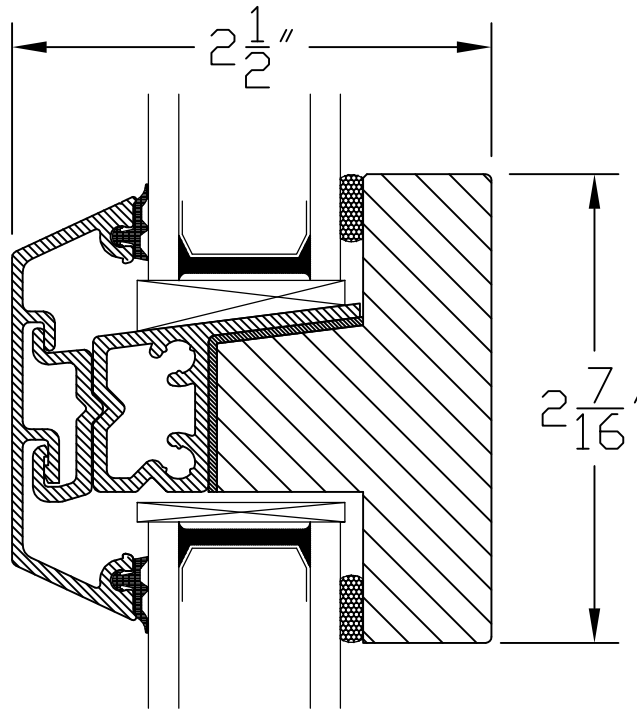
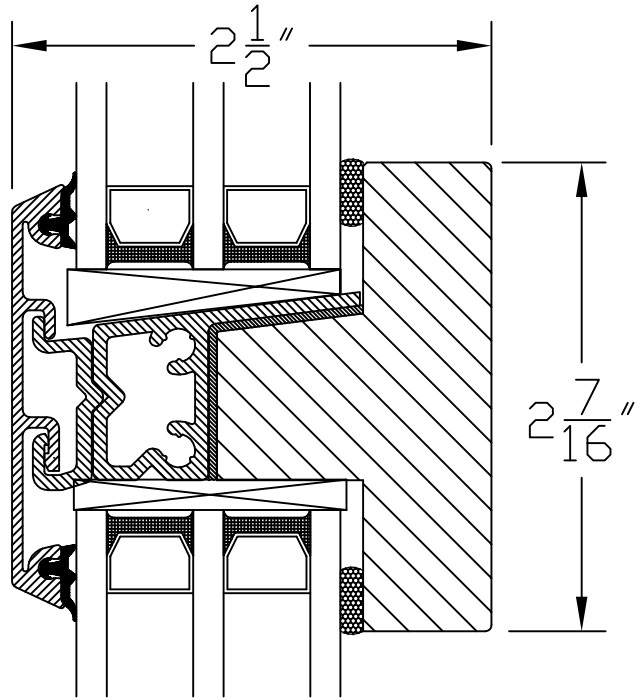


401 17th Avenue West
Ashland, WI 54806
Phone: 715/685-2793
Fax: 715/685-9441

DEALER:
PROJECTED MUNTIN BAR DETAIL
DRN BY: JJP
SCALE: FULL SCALE
PAGE:

JOB NAME:
Double Pane/Triple Pane
REV. DATE:
REV. LEVEL:
DATE:

ORDER #:
7/11/07



Projected
Muntin Bar Detail