



401 17th Avenue West
Ashland, WI 54806
Phone: 715/685-2793
Fax: 715/685-9441

DEALER:
PROJECTED SILL DETAIL

JOB NAME

ORDER #
P1-3PU

DRN BY:
JJP

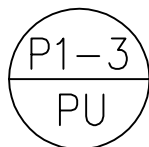
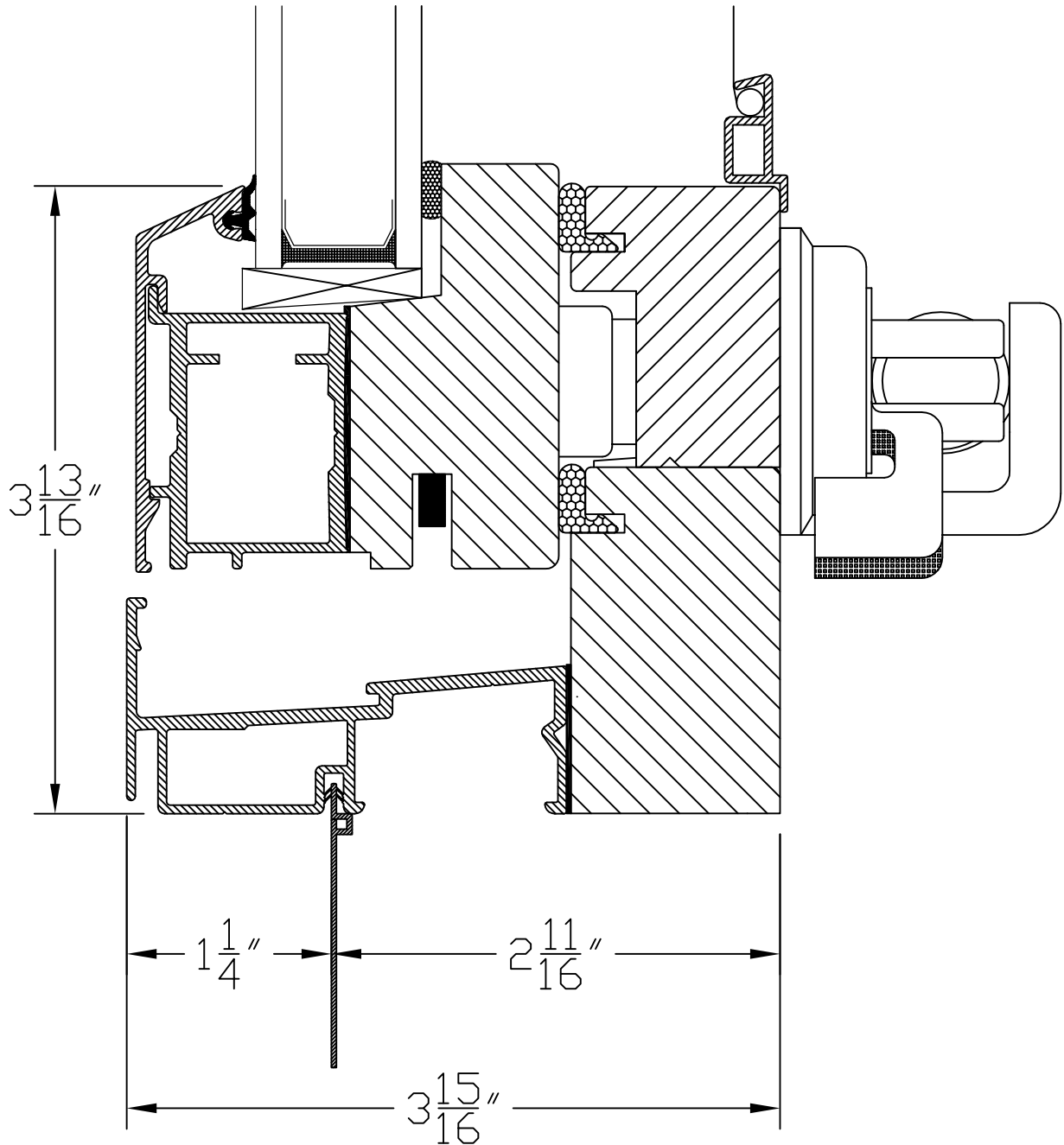
SCALE
FULL SCALE

PAGE

REV. DATE

REV. LEVEL

DATE
7/11/07



Projected
Sill Detail, Pushbar