



401 17th Avenue West
Ashland, WI 54806
Phone: 715/685-2793
Fax: 715/685-9441

DEALER:
Push Out Casement

JOB NAME
C-1-3

ORDER #

DRN BY:
JJP

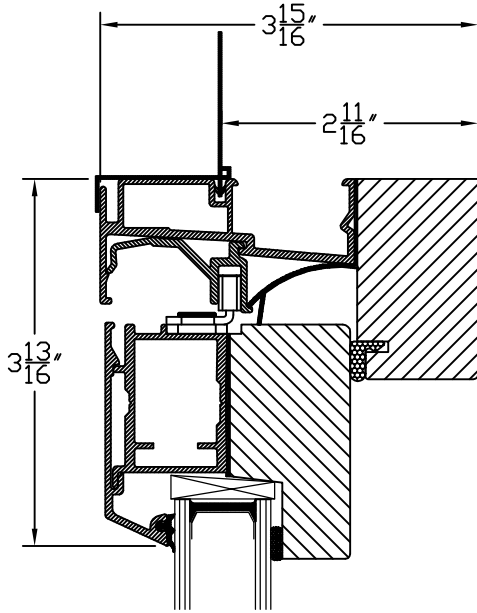
SCALE
6" = 1'

PAGE
1

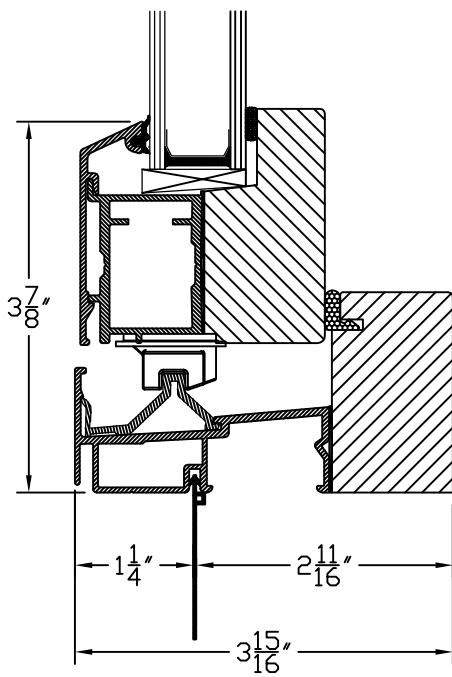
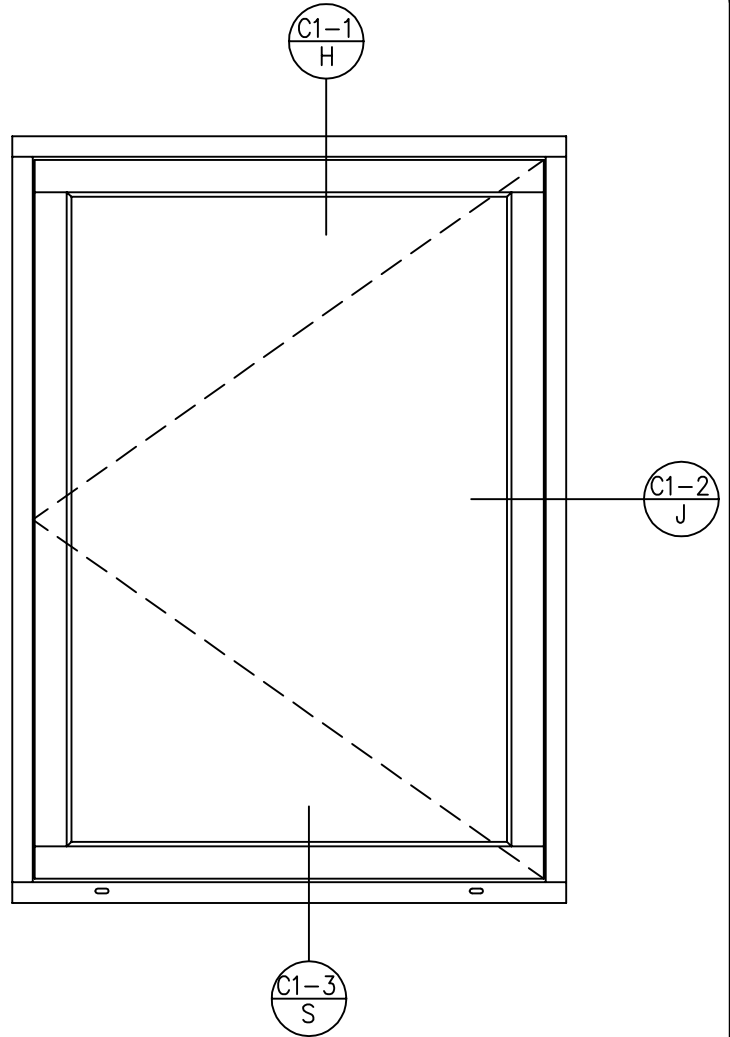
REV. DATE
2/2/10

REV. LEVEL
1

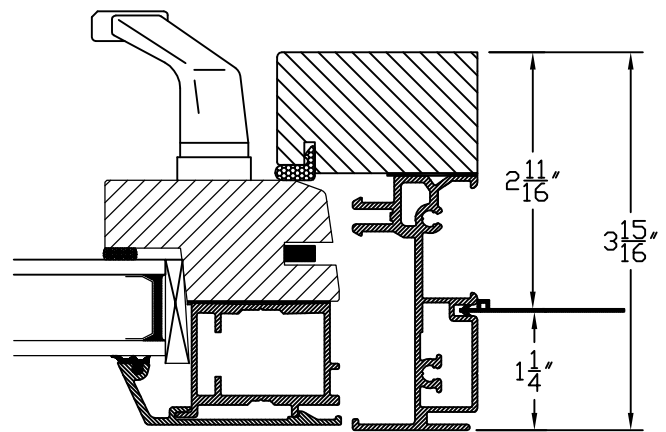
DATE
2/29/08



C1-1
H
Head Detail



C1-3
S
Sill Detail



C1-2
J
Jamb Detail