



401 17th Avenue West
Ashland, WI 54806
Phone: 715/685-2793
Fax: 715/685-9441

DEALER:
CASEMENT SILL DETAIL

DRN BY:
JJP

SCALE
FULL SCALE

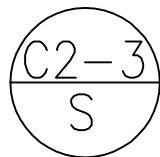
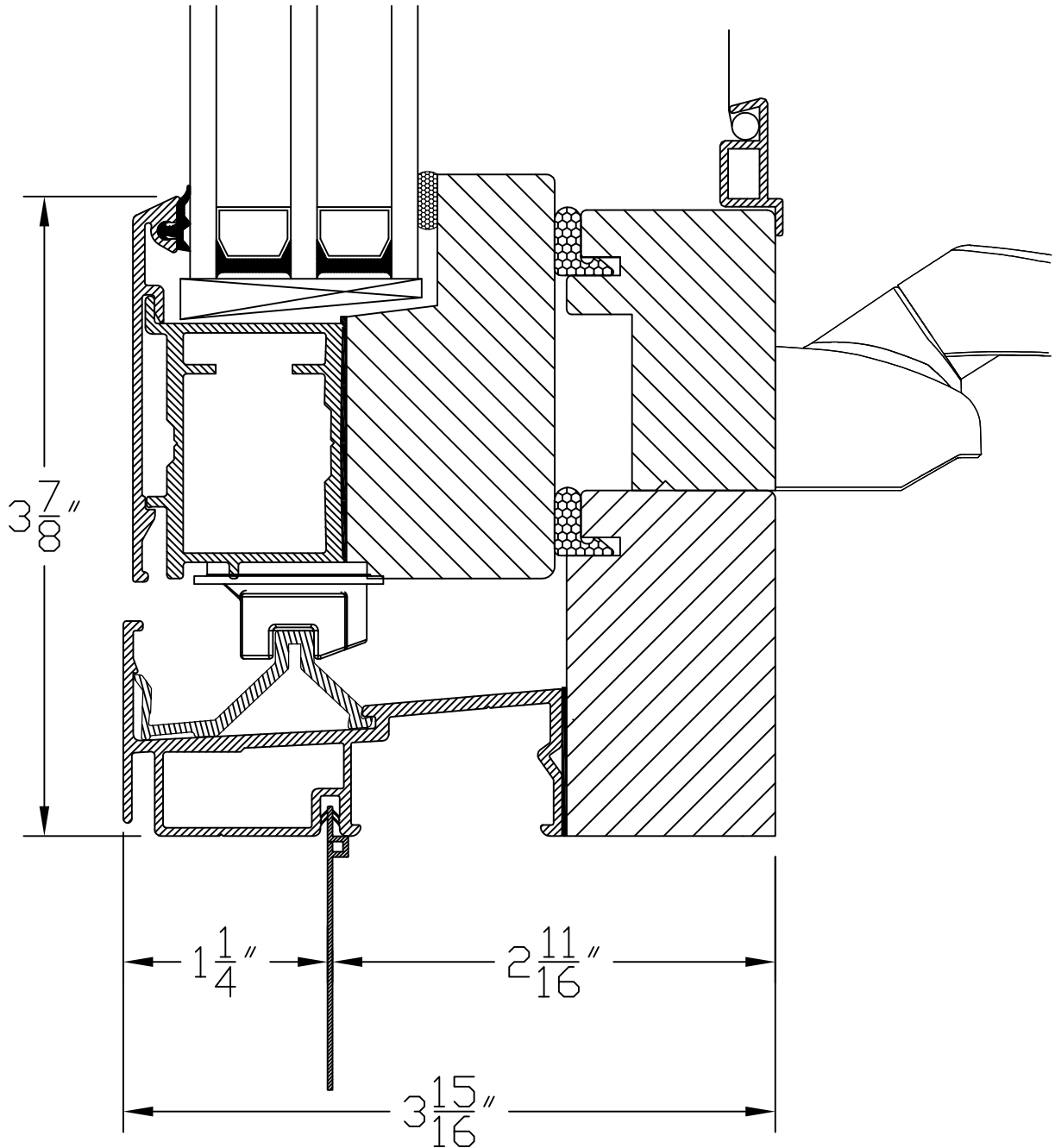
PAGE
1

JOB NAME
triple pane glass

REV. DATE
2/2/10

REV. LEVEL
1

ORDER #
C2-3S
DATE
7/11/07



Casement
Sill Detail
Triple Pane Glass