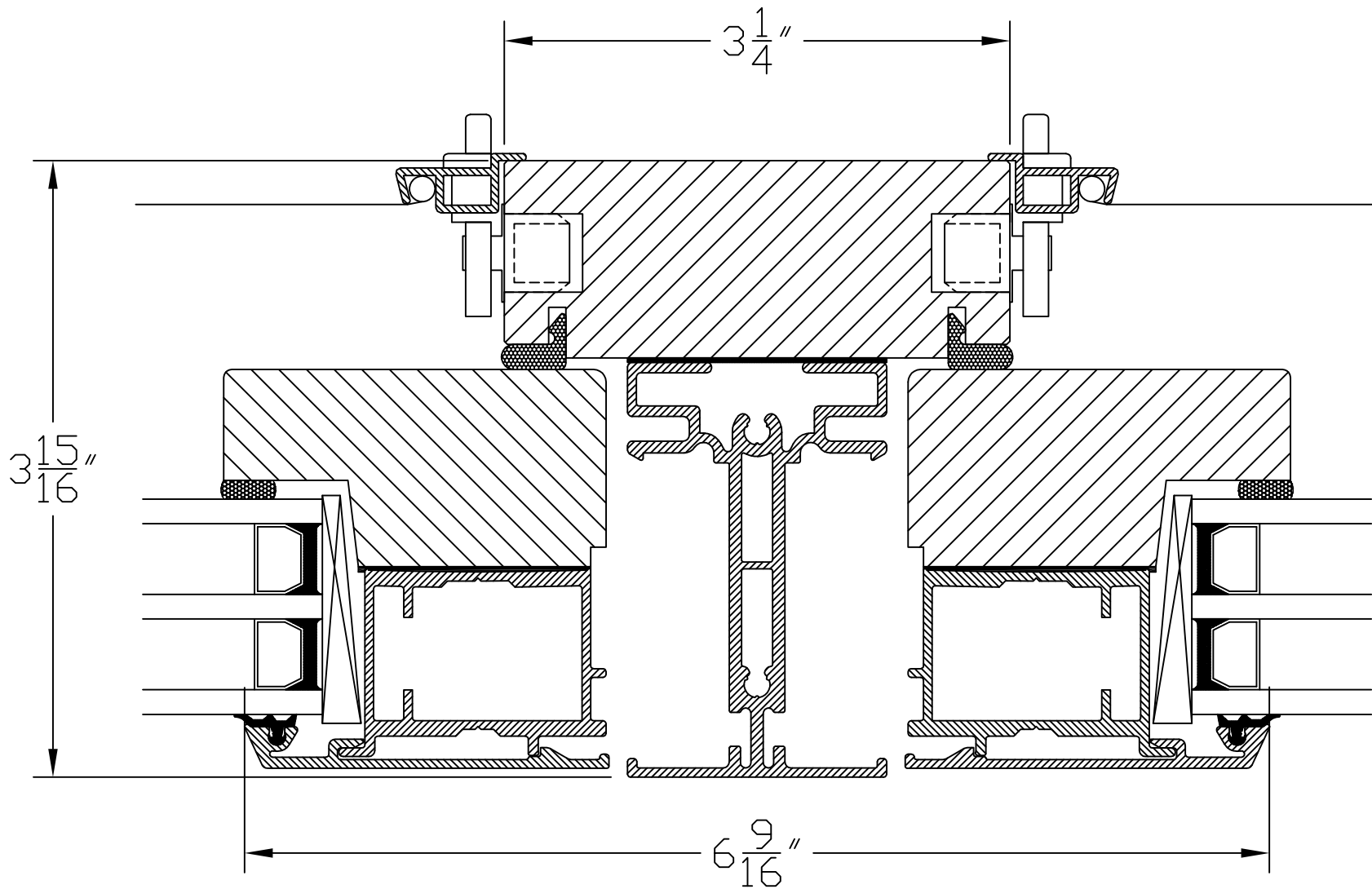




401 17th Avenue West  
Ashland, WI 54806  
Phone: 715/685-2793  
Fax: 715/685-9441

DEALER:  
PROJECTED MULLION DETAIL  
DRN BY:  
SCALE  
FULL SCALE  
PAGE  
1

JOB NAME  
Triple Pane  
REV. DATE  
REV. LEVEL  
DATE  
ORDER #



P1-5  
ML

Projected  
Single Frame, Mullion Detail