



WINDOW

401 17th Avenue West
Ashland, WI 54806
Phone: 715/685-2793
Fax: 715/685-9441

DEALER:
PROJECTED MUNTIN BAR DETAIL

DRN BY:
JJP

SCALE
FULL SCALE

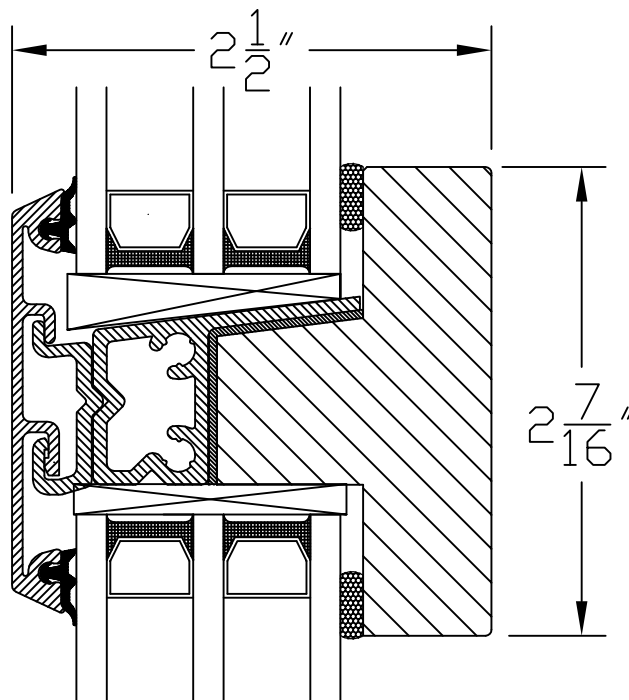
PAGE

JOB NAME
Triple Pane Glass

REV. DATE

REV. LEVEL

ORDER #
DATE
7/11/07



Projected
Muntin Bar Detail